

Help Sheet 2

RF Feedback

bhi

SOUND ENGINEERING SOLUTIONS

All bhi products will operate correctly under normal working conditions. However if problems with feedback are experienced during transmission then the following help sheet has been prepared to help resolve this problem.

If connecting the bhi speaker to a separate power supply eliminates the RF breakthrough, then this help sheet will resolve the problem.

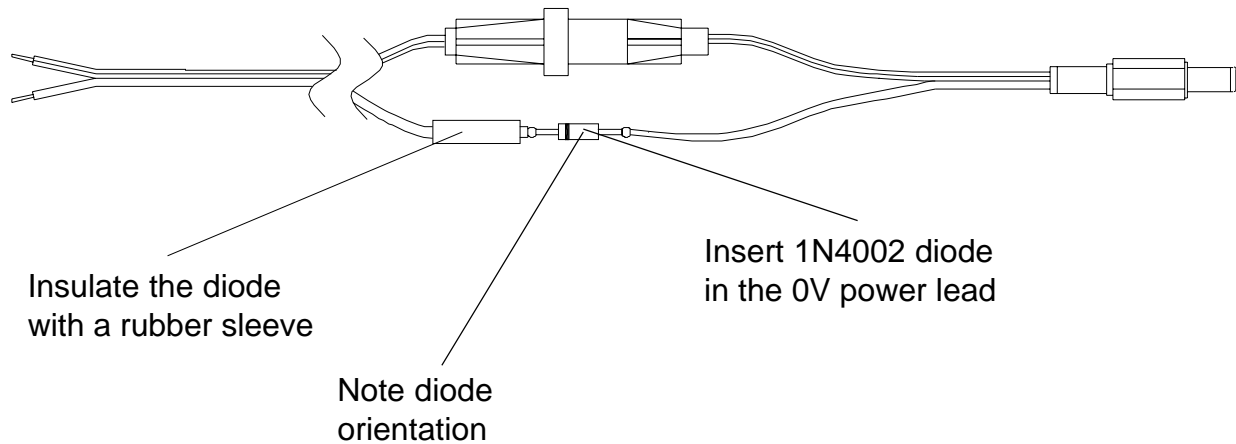


Figure 1.
Power lead modification

If the problem persists, see helpsheet 1 for further information.

bhi Ltd

PO Box 136, Bexhill on Sea, East Sussex, TN39 3PX

Tel: +44(0)870 2407258

email: info@bhinstrumentation.co.uk. web <http://www.bhinstrumentation.co.uk>



1005-104D Issue A.